

* Image shown are just indicative



Airport



Institution



Hospital



Factory



Bridges



Highway & Roadway



Park & Playground

Features



Integrated design and structure

Solar Panel, Battery, Controller and PIR Sensor are integrated into one fitting. It makes easy installation, connection and maintenance



Programmable

Built-in smart MPPT Arm cortex based controller, adjustable Brightness and Timer/Parameters/IOT setting of light



In-built High life cycle Lithium Battery, rechargeable



Monocrystalline Solar Panel

We take use of monocrystalline solar panel, more efficient than normal poly solar panel, it saves size to make the light more compact



PIR Motion Sensor

Integrated PIR motion sensor detect human movements to adjust the brightness, it saves energy and makes the light more durable.



Visual display to show product status.

Specification

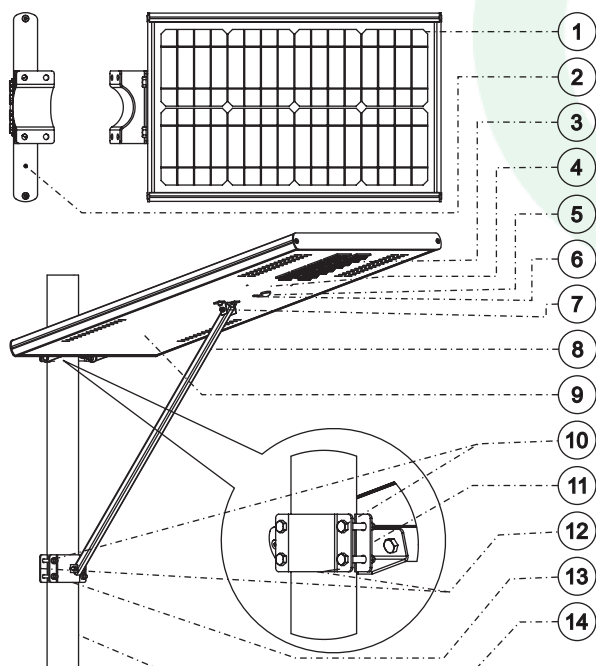
Parameter	25W	30W	40W	50W	60W
Charge controller Type	MPPT				
MPPT tracking efficiency	99%				
Conversion efficiency	>90%				
Standby power	<20mA				
Protection	Over Charging & Discharge, LVD, HVD, Temperature, Short Circuit				
Battery type	LiFePO ₄				
Nominal voltage	12.8V				
Battery capacity	24Ah	30Ah	30Ah	36Ah	42Ah
LVD	11V				
HVD	14.6V				
Charging type	CC CV				
Max charge current	4A	5A	6A	6A	8A
Max Discharge current	4A	5A	6A	6A	8A

Panel type	Mono-Crystalline				
Panel power	50Wp	60Wp	75Wp	90Wp	100Wp
Max Voc	21V				
Vmp	18V				
Isc	2.96A	3.55A	4.44A	5.1A	5.74A
LED power	25W	30W	40W	50W	60W
LED max lumen output	3750lm	4500lm	6000lm	7500lm	9000lm
LED system Efficiency	>150lm/W				
LED CCT	5700(+/-500) K				
Lighting Mode	Motion Sensor Based Operation				
Lens type	PC (IP67, IK08 rated), Type II				
CRI	>70				
POH	>50000 Hrs				
Storage temperature	0 to 45deg				
Ambient temperature for charging	0 to 60deg				
Ambient temperature for discharging	-10 to 60deg				
Backup hours efficiency	>26hrs @ Power save mode				
Motion sensor	PIR Sensor, 120°				
Dimming	Available				
BLE light Control & Monitoring	Available				
Hybrid charging / load drive	Optional				
IP Rating	IP65				
Material	Aluminium Extrusion /Alloy				
Installation height	5-6mtr		6-7mtr		
Dimension (LxWxH) mm	875x370x50	1065x370x50	875x525x50	1075x525x50	

Remarks:

** Specifications are subject to change without notice.

Part Description



S.No	Name	Brief Function
1	Solar Panel	To Charge Battery
2	Switch	Product On/Off
3	LED Light	Illumination
4	Charge Controller	Charging, Discharging & Control light engine
5	PIR Sensor	For Motion detection
6	LED's	Indicate the product status
7	M6X40 Screw Set	For fixing supporting rod
8	Supporting Rod	Support lamp with pole
9	Battery	Energy storage
10	M8 X 60 Screw Set	For fixing U-Clamp
11	Base Clamp	Lamp Fixing
12	U-Clamp	Fix the base clamp to pole
13	Supporting Clamp	Hold one end of supporting rod
14	Pole (ø50 - ø90mm)	Hold the Unit Main Body

Led Status Indication

Green LED	Green Blink	Charging
	Green Glow	Battery Full
Blue LED	Blue Glow	Product On
Red LED	Red Blink	LVD
	Red Glow	Over Temperature
Yellow LED	Yellow Glow	Load support through Grid(Optional)