

* Image shown are just indicative



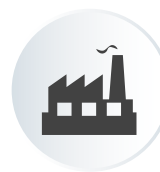
Airport



Institution



Hospital



Factory



Bridges



Highway & Roadway



Park & Playground

Features



Integrated design and structure

Solar Panel, Battery, Controller and PIR Sensor are integrated into one fitting. It makes easy installation, connection and maintenance



Programmable

Built-in smart MPPT Arm cortex based controller, adjustable Brightness and Timer/Parameters/IOT setting of light



In-built High life cycle Lithium Battery, rechargeable



Monocrystalline Solar Panel

We take use of monocrystalline solar panel, more efficient than normal poly solar panel, it saves size to make the light more compact



Visual display to show product status.

Specification

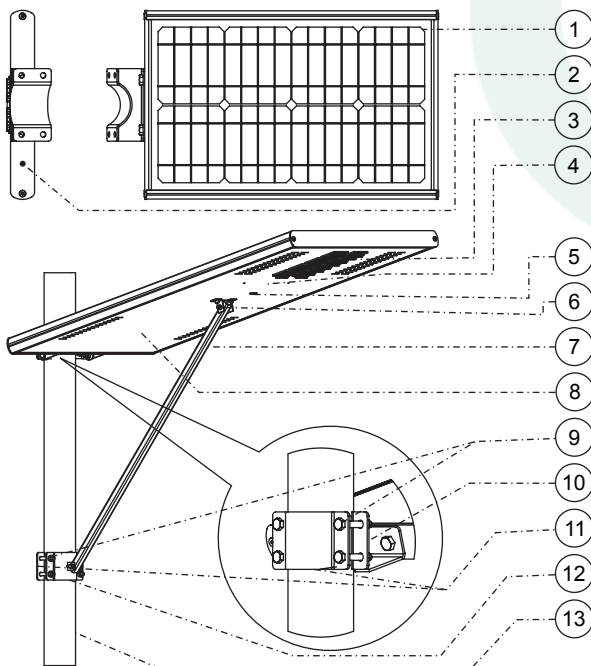
Parameter	70W	80W
Charge controller Type	MPPT	
MPPT tracking efficiency	99%	
Conversion efficiency	>90%	
Standby power	<20mA	
Protection	Over Charging & Discharge, LVD, HVD, Temperature, Short Circuit	
Battery type	LiFePO ₄	
Nominal voltage	12.8V	
Battery capacity	42Ah	48Ah
LVD	11V	
HVD	14.6V	
Charging type	CC CV	
Max charge current	8A	10A
Max Discharge current	8A	10A

Panel type	Mono-Crystalline	
Panel power	100Wp	120Wp
Max Voc	21V	
Vmp	18V	
Isc	5.74A	6.8A
LED power	70W	80W
LED max lumen output	10500lm	12000lm
LED system Efficiency	>150lm/W	
LED CCT	5700(+/-500) K	
Lighting Mode	Timer/Voltage SOC based dimming operation	
Lens type	PC (IP67, IK08 rated), Type II	
CRI	>70	
POH	>50000 Hrs	
Storage temperature	0 to 45deg	
Ambient temperature for charging	0 to 60deg	
Ambient temperature for discharging	-10 to 60deg	
Backup hours efficiency	>20hrs @ Power save mode	
Dimming	Available (Timer/Voltage Based)	
BLE light Control & Monitoring	Optional	
Hybrid charging / load drive	Optional	
IP Rating	IP65	
Material	Aluminium Extrusion / Alloy	
Installation height	7-9mtr	10-12mtr

Remarks:

** Specifications are subject to change without notice.

Part Description



S.No	Name	Brief Function
1	Solar Panel	To Charge Battery
2	Switch	Product On/Off
3	LED Light	Illumination
4	Charge Controller	Charging, Discharging & Control light engine
5	LED's	Indicate the product status
6	M6X40 Screw Set	For fixing supporting rod
7	Supporting Rod	Support lamp with pole
8	Battery	Energy storage
9	M8 X60 Screw Set	For fixing U-Clamp
10	Base Clamp	Lamp Fixing
11	U-Clamp	Fix the base clamp to pole
12	Supporting Clamp	Hold one end of supporting rod
13	Pole (ø50 - ø90mm)	Hold the Unit Main Body

Led Status Indication

Green LED	Green Blink	Charging
	Green Glow	Battery Full
Blue LED	Blue Glow	Product On
Red LED	Red Blink	LVD
	Red Glow	Over Temperature
Yellow LED	Yellow Glow	Load support through Grid(Optional)